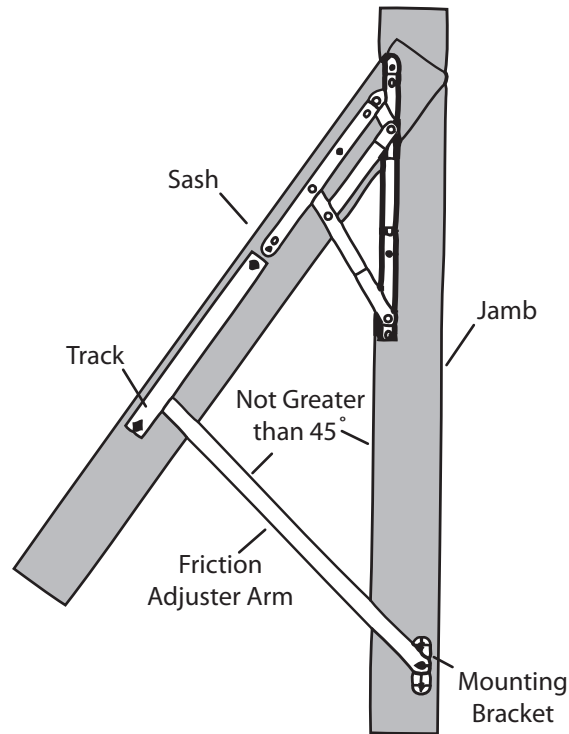


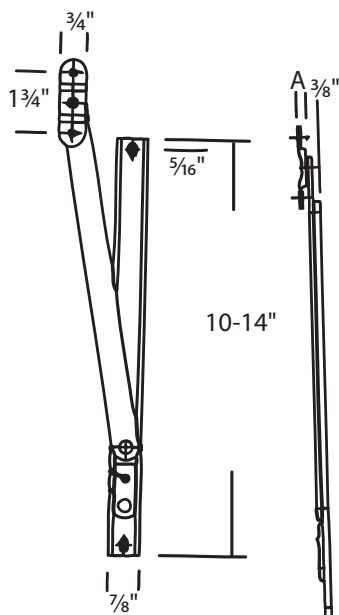
Sash Control Devices



Application of Friction Adjuster



#014-88-XX-X  
Heavy Duty Friction Adjuster  
Truth



Track Length	Stack Height	WRS Part #	Bracket
10"	.468	014-88-10-1	.110
10"	.538	014-88-10-2	.180
10"	.593	014-88-10-3	.235*
10"	.780	014-88-10-4	.422
12"	.468	014-88-12-1	.110
12"	.538	014-88-12-2	.180
12"	.593	014-88-12-3	.235*
12"	.780	014-88-12-4	.422
14"	.468	014-88-14-1	.110
14"	.538	014-88-14-2	.180
14"	.593	014-88-14-3	.235*
14"	.780	014-88-14-4	.422

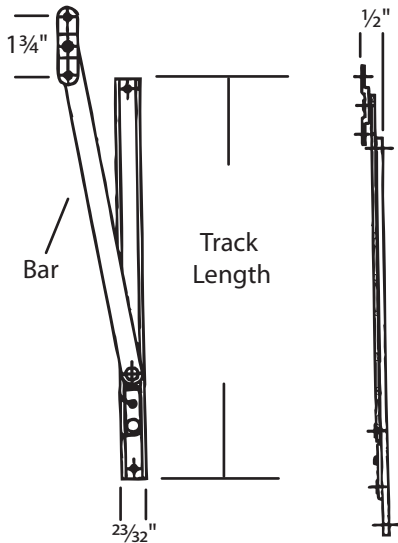
\*Standard

Bar length is always 2" shorter than track length.

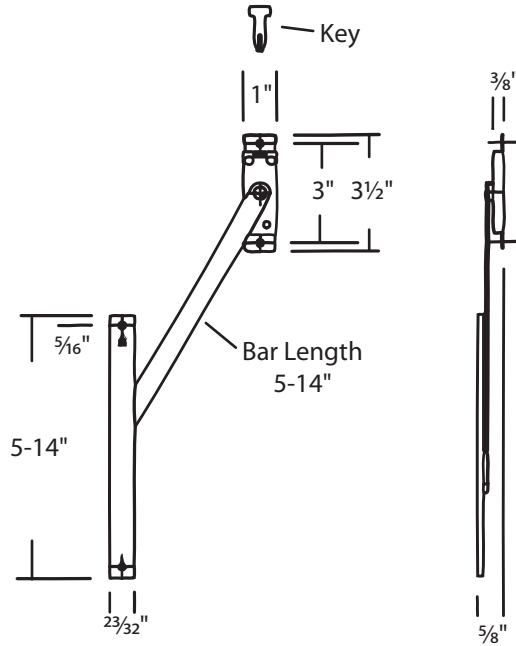
Any questions, call your Account Specialist @ 800.842.0974

Sash Control Devices

**#014-89-X**  
Standard Duty Friction Adjuster  
*Truth*



**#014-90-X**  
Limit Device w/ Key Release  
*Truth*



Track Length	Stack Height	WRS Part #	Bracket
8"	.468	014-89-8-1	.110
8"	.538	014-89-8-2	.180
8"	.593	014-89-8-3	.235*
8"	.780	014-89-8-4	.422
10"	.468	014-89-10-1	.110
10"	.538	014-89-10-2	.180
10"	.593	014-89-10-3	.235*
10"	.780	014-89-10-4	.422
12"	.468	014-89-12-1	.110
12"	.538	014-89-12-2	.180
12"	.593	014-89-12-3	.235*
12"	.780	014-89-12-4	.422
14"	.468	014-89-14-1	.110
14"	.538	014-89-14-2	.180
14"	.593	014-89-14-3	.235*
14"	.780	014-89-14-4	.422

Track Length	Bar Length	WRS Part #
5"	5"	014-90-1
6"	6"	014-90-2
7"	7"	014-90-3
8"	8"	014-90-4
9"	9"	014-90-5
10"	8"	014-90-6
10"	10"	014-90-7
11"	11"	014-90-8
12"	6"	014-90-9
12"	10"	014-90-10
12"	12"	014-90-11
14"	12"	014-90-12
14"	14"	014-90-13

\*Standard



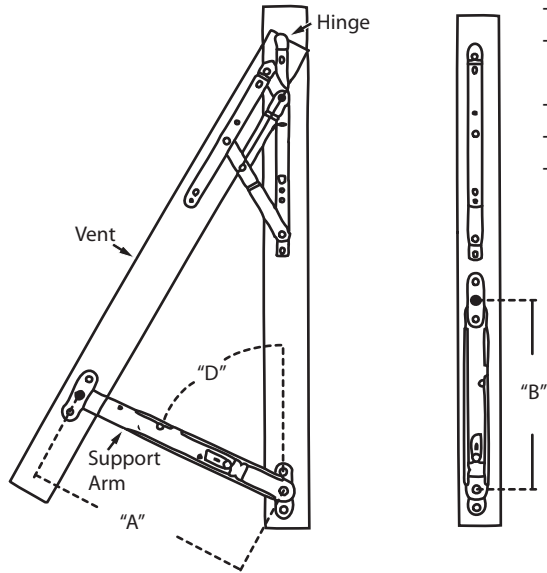
Any questions, call your  
Account Specialist @ **800.842.0974**

Sash Control Devices



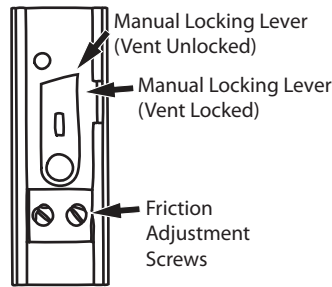
Pushing the vent open to the full extent of the support arms will automatically engage the arms. The vent should **ALWAYS** be secure in the open and latched position by engaging the lock levers on each arm. To reclose the vent from the secured position, rotate the locking levers on both arms to the unlocked position, then push the vent outward to disengage the support arm latches. Even pressure applied to the vent will ensure that both arms disengage together.

Application of Truth Support Arm



Support Arm Application Rules:

- Truth support arms **must** be used with vent "balacing" style hinges.
- The bottom bracket of the support arm **must** be mounted as low on the window frame as possible to minimize loading.
- The open support arm angle "D" must be greater than 35 degrees.
- Friction adjustment screws help control the free motion of the vent.
- Vent must be securely locked when left in the closed position.



Extended Position

Closed Position

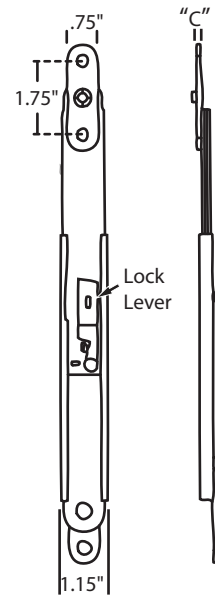
Locking Lever Detail

Truth Support Arms

Extended Position "A"	Closed Position "B"	WRS Part #	Bracket Height "C"
10"	7"	014-17-1-1	.110
10"	7"	014-17-1-3	.235
12"	8"	014-17-2-1	.110
12"	8"	014-17-2-3	.235
14"	9"	014-17-3-1	.110
14"	9"	014-17-3-3	.235
16"	10"	014-17-4-1	.110
16"	10"	014-17-4-3	.235
16"	10"	014-17-4-4	.422
18"	11"	014-17-5-1	.110
20"	12"	014-17-6-1	.110
22"	13"	014-17-7-1	.110
24"	14"	014-17-8-1	.110
26"	15"	014-17-9-1	.110
28"	16"	014-17-10-1	.110

"C" Available Bracket Height	End of WRS Part #
.110	-1
.180	-2
.235	-3
.422	-4

Other bracket options are available upon request



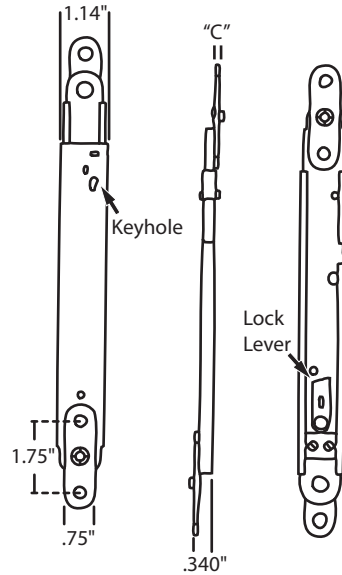
Can't find what you're looking for?  
We're here to help!  
Call 800.842.0974 today!

Sash Control Devices

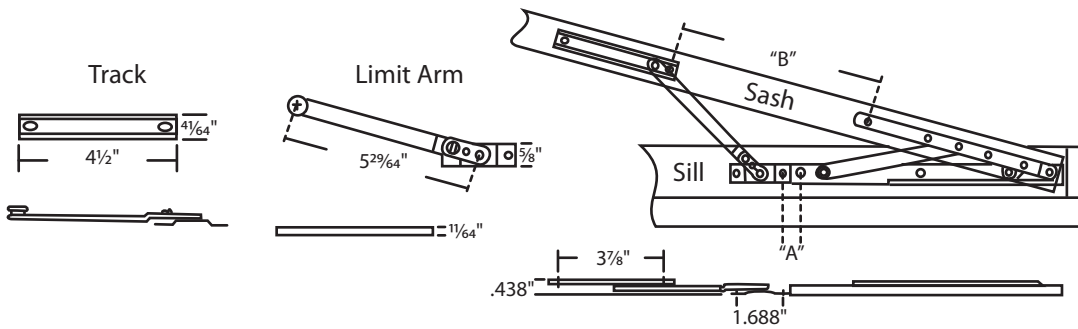


Truth Support Arms with Limited Opening

Use release key (#014-43-06) to achieve max. extension. This unit will only extend 1.500 without the release key inserted.



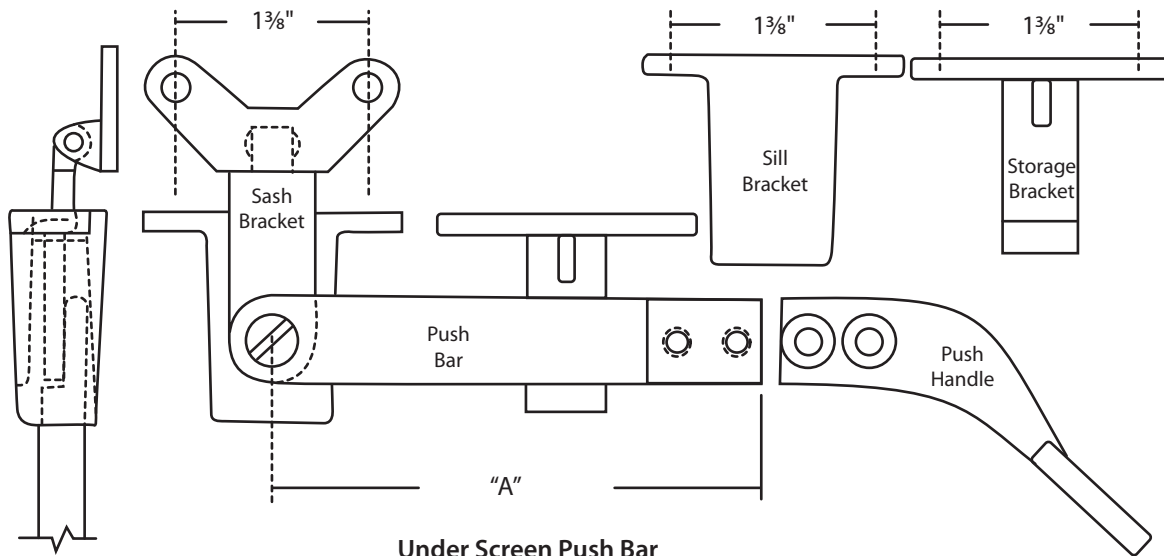
Extended Position "A"	Closed Position "B"	WRS Part #	Bracket Height "C"
12"	8.5"	014-43-1-1	.110
12"	8.5"	014-43-1-2	.180
16"	10.5"	014-43-2-1	.110
16"	10.5"	014-43-2-2	.180
20"	12.5"	014-43-4-1	.110
24"	14.5"	014-43-5-1	.110
24"	14.5"	014-43-5-2	.180
28"	16.5"	014-43-6-2	.180



Part #	Description
014-20-1	Steel 5" Limit Device (Arm Only)
014-20-2	Stainless Steel 5" Limit Device (Arm Only)
014-20-3	Track Only
014-20-4	Steel Arm & Track Assembly
014-20-5	Stainless Steel Arm & Track Assembly

Any questions, call your Account Specialist @ 800.842.0974

**Push Bars**



**Under Screen Push Bar**  
 Mill Finish  
 RH Shown

Right Hand	Left Hand	"A"
087-350-6-1	087-350-6-2	6"
087-350-7-1	087-350-7-2	7"
087-350-8-1	087-350-8-2	8"
087-350-9-1	087-350-9-2	9"
087-350-10-1	087-350-10-2	10"
087-350-11-1	087-350-11-2	11"
087-350-12-1	087-350-12-2	12"
087-350-14-1	087-350-14-2	14"
087-350-16-1	087-350-16-2	16"
087-350-18-1	087-350-18-2	18"
087-350-20-1	087-350-20-1	20"
087-350-22-1	087-350-22-1	22"



**Thank You for**                      **Your Satisfaction**  
**Using Our Services!**              **is Important to Us!**

Any questions, call your  
 Account Specialist @ **800.842.0974**

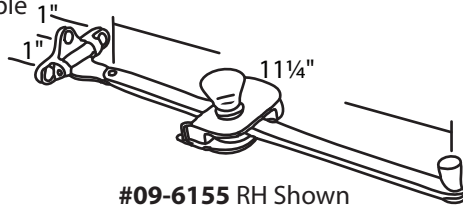
Push Bars



\*Many Lengths Available



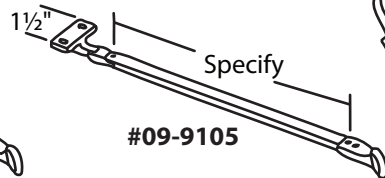
#09-6146 RH Shown  
#09-6147 LH  
All Bronze  
(Special Order)



#09-6155 RH Shown  
#09-6156 LH



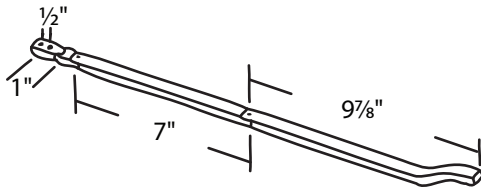
#09-9106



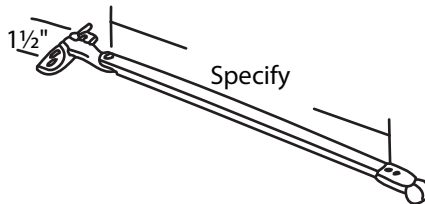
#09-9105



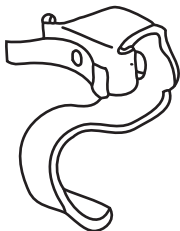
Ends Available for  
#09-9105 & #09-5001



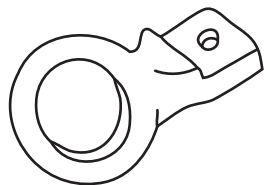
#09-9107



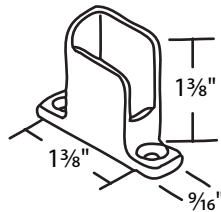
#09-9109



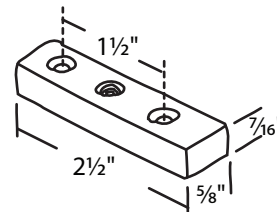
#09-864



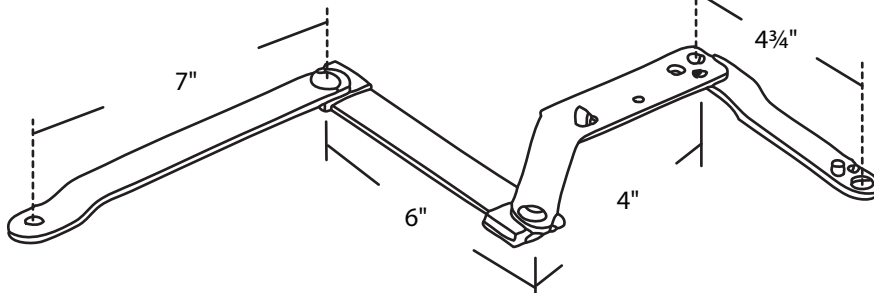
#06-44



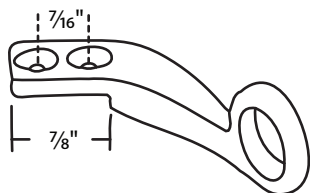
#09-7106



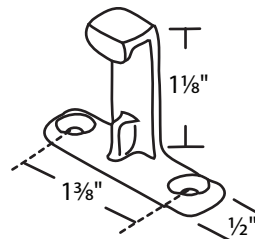
#09-7107



#09-863



#09-7104RH Shown  
#09-7104LH  
White Bronze



#09-7105  
White Bronze