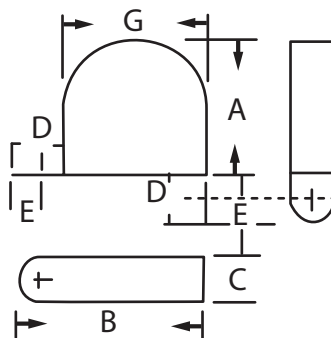
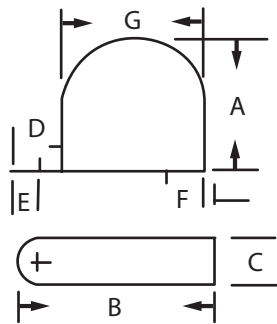
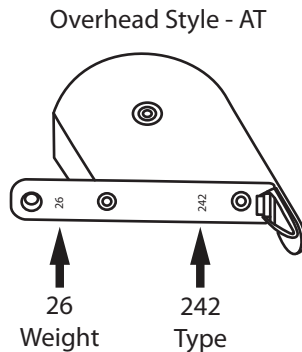
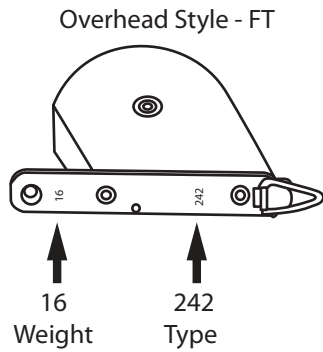


**Clock Spring Balances**



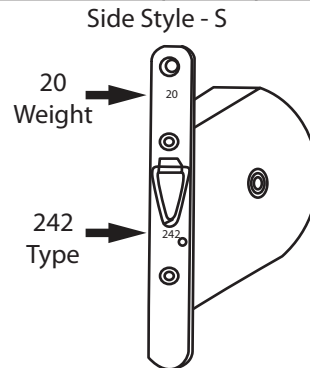
- The 078, 079 and 080 Series are Clock Spring or Tape Balances for **non-tilt** applications.
- These balances are typically found in old wooden windows.
- To order Clock Spring/ Tape Balances you need to do the following:
  - Match the style that is being replaced with one of the three styles below (FT, AT or S).
  - Choose the type (242, 150 or 154).
  - Weigh the sash and match the selections to the chart.
  - It is crucial to get the correct weight, otherwise the window will not work correctly.



Technical Information

Size	A	B	C	D	E	G
242AT	3"	4 <sup>5</sup> / <sub>16</sub> "	7 <sup>8</sup> / <sub>16</sub> "	1 <sup>15</sup> / <sub>16</sub> "	5 <sup>1</sup> / <sub>16</sub> "	3"
150AT	3 <sup>3</sup> / <sub>8</sub> "	4 <sup>1</sup> / <sub>16</sub> "	1 <sup>1</sup> / <sub>8</sub> "	1 <sup>1</sup> / <sub>16</sub> "	3 <sup>3</sup> / <sub>8</sub> "	3 <sup>3</sup> / <sub>8</sub> "
154AT	3 <sup>15</sup> / <sub>16</sub> "	5 <sup>5</sup> / <sub>32</sub> "	1 <sup>1</sup> / <sub>4</sub> "	1 <sup>17</sup> / <sub>32</sub> "	1 <sup>5</sup> / <sub>32</sub> "	3 <sup>15</sup> / <sub>16</sub> "
242S	3"	5 <sup>5</sup> / <sub>8</sub> "	7 <sup>8</sup> / <sub>16</sub> "	1 <sup>1</sup> / <sub>16</sub> "	5 <sup>1</sup> / <sub>16</sub> "	3"
150S	3 <sup>3</sup> / <sub>8</sub> "	6"	1 <sup>1</sup> / <sub>8</sub> "	1 <sup>15</sup> / <sub>16</sub> "	3 <sup>3</sup> / <sub>8</sub> "	3 <sup>3</sup> / <sub>8</sub> "
154S	3 <sup>15</sup> / <sub>16</sub> "	7"	1 <sup>1</sup> / <sub>4</sub> "	1 <sup>13</sup> / <sub>32</sub> "	1 <sup>5</sup> / <sub>32</sub> "	3 <sup>15</sup> / <sub>16</sub> "
242FT	3"	4 <sup>1</sup> / <sub>16</sub> "	7 <sup>8</sup> / <sub>16</sub> "	1 <sup>15</sup> / <sub>16</sub> "	3 <sup>3</sup> / <sub>8</sub> "	3"
150FT	3 <sup>3</sup> / <sub>8</sub> "	5 <sup>5</sup> / <sub>8</sub> "	1"	1 <sup>1</sup> / <sub>16</sub> "	3 <sup>3</sup> / <sub>8</sub> "	3 <sup>3</sup> / <sub>8</sub> "
154FT	3 <sup>15</sup> / <sub>16</sub> "	5 <sup>13</sup> / <sub>16</sub> "	1 <sup>1</sup> / <sub>4</sub> "	1 <sup>17</sup> / <sub>32</sub> "	1 <sup>5</sup> / <sub>32</sub> "	3 <sup>15</sup> / <sub>16</sub> "

Weight of Sash	4-26 lbs.	4-35 lbs.	20-50 lbs.
Balance Size	242	150	154
Standard Tape Length	39"	50"	50"



Overhead Style - FT

Lbs.	Type 242 Part #	Type 150 Part #	Type 154 Part #
4	088-4	-	-
6	088-6	088-28	-
8	088-8	088-30	-
10	088-10	088-32	-
12	088-12	088-34	-
14	088-14	088-36	-
16	088-16	088-38	-
18	088-18	088-40	-
20	088-20	088-42	088-60
22	088-22	088-44	088-62
24	088-24	088-46	088-64
26	088-26	088-48	088-66
28	-	088-50	088-68
30	-	088-52	088-70
32	-	088-54	088-72
34	-	088-56	088-74
36	-	088-58	088-76
38	-	-	088-78
40	-	-	088-80

Overhead Style - AT

Lbs.	Type 242 Part #	Type 150 Part #	Type 154 Part #
4	089-4	-	-
6	089-6	089-28	-
8	089-8	089-30	-
10	089-10	089-32	-
12	089-12	089-34	-
14	089-14	089-36	-
16	089-16	089-38	-
18	089-18	089-40	-
20	089-20	089-42	089-60
22	089-22	089-44	089-62
24	089-24	089-46	089-64
26	089-26	089-48	089-66
28	-	089-50	089-68
30	-	089-52	089-70
32	-	089-54	089-72
34	-	-	089-74
36	-	-	089-76
38	-	-	089-78
40	-	-	089-80

Side Style - S

Lbs.	Type 242 Part #	Type 150 Part #	Type 154 Part #
4	090-4	-	-
6	090-6	090-28	-
8	090-8	090-30	-
10	090-10	090-32	-
12	090-12	090-34	-
14	090-14	090-36	-
16	090-16	090-38	-
18	090-18	090-40	-
20	090-20	090-42	090-56
22	090-22	090-44	090-58
24	090-24	090-46	090-60
26	090-26	090-48	090-62
28	-	090-50	090-64
30	-	090-52	090-66
32	-	090-54	090-68
34	-	-	090-70
36	-	-	090-72
38	-	-	090-74
40	-	-	090-76