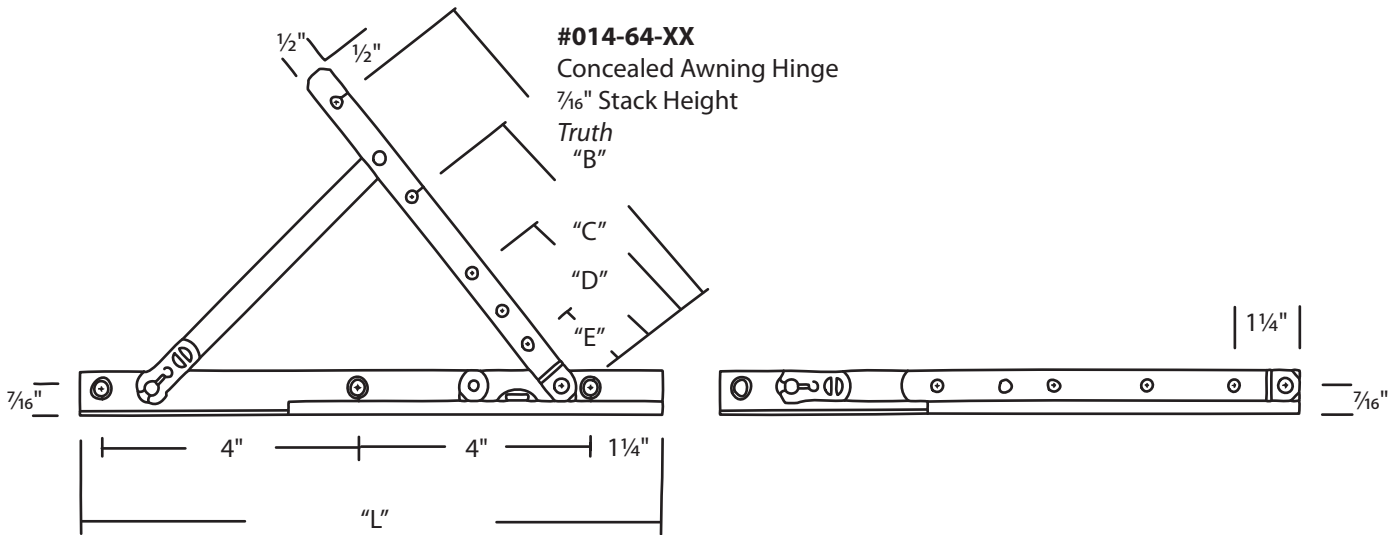


**Awning Hinge**



**#014-64-XX**  
 Concealed Awning Hinge  
 7/16" Stack Height  
 Truth  
 "B"

WRS Part #		Rec.	Rec. Max	Hinge Length	"B"	"C"	"D"	"E"	Screws	"F"
Steel	St.Stl	Sash Height	Sash Weight	"L"					Per Hinge	
014-64-13LH	014-64-43LH	10-14"	7 lbs	10"	1/4"	1/4"	5/8"	1 1/4"	7	N/A
014-64-13RH	014-64-43RH	10-14"	7 lbs	10"	1/4"	1/4"	5/8"	1 1/4"	7	N/A
014-64-14LH	014-64-44LH	14-19"	20 lbs	14"	1/4"	1/4"	5/8"	1 1/4"	8	N/A
014-64-14RH	014-64-44RH	14-19"	20 lbs	14"	1/4"	1/4"	5/8"	1 1/4"	8	N/A
014-64-15LH	014-64-45LH	19-26"	38 lbs	18"	1/4"	1/4"	5/8"	1 1/4"	9	N/A
014-64-15RH	014-64-45RH	19-26"	38 lbs	18"	1/4"	1/4"	5/8"	1 1/4"	9	N/A
014-64-16LH	014-64-46LH	26-34"	50 lbs	22"	1/4"	1/4"	5/8"	1 1/4"	10	N/A
014-64-16RH	014-64-46RH	26-34"	50 lbs	22"	1/4"	1/4"	5/8"	1 1/4"	10	N/A
014-64-17LH	—	34-42"	61 lbs	26"	3/4"	1/4"	7/16"	1 1/4"	12	2 5/8"
014-64-17RH	—	34-42"	61 lbs	26"	3/4"	1/4"	7/16"	1 1/4"	12	2 5/8"

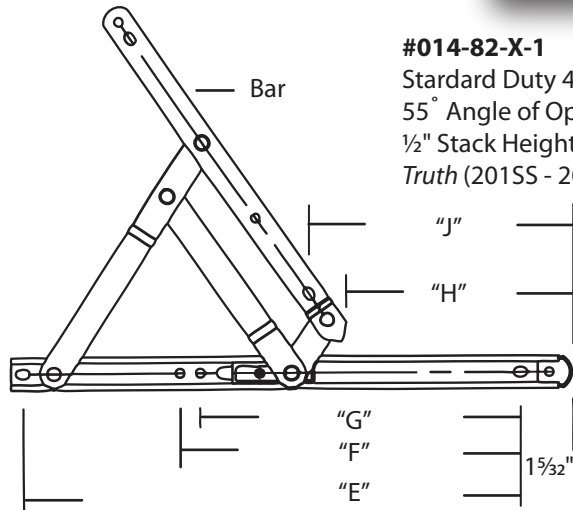
**Thank You  
 for Using Our Services!**

**Your Satisfaction  
 is Important to Us!**

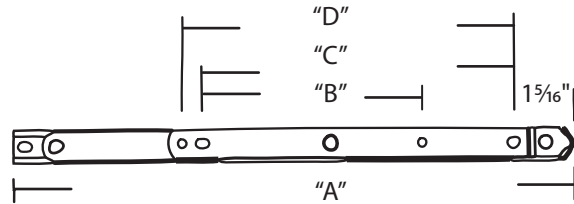
Any questions, call your  
 Account Specialist @ **800.842.0974**



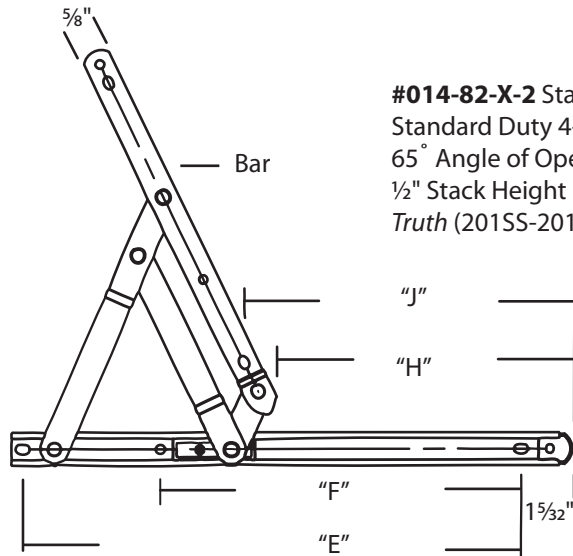
**4-Bar Hinge**



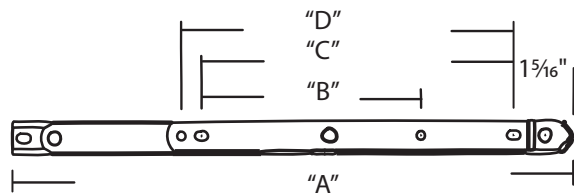
**#014-82-X-1**  
 Standard Duty 4-Bar Hinge w/ Stop  
 55° Angle of Opening  
 1/2" Stack Height  
 Truth (201SS - 201ST Series)



Material	Bar Length	WRS Part #	"A"	"B"	"C"	"D"	"E"	"F"	"G"	"H"	"J"	# of Screws
SST	8"	014-82-1-1	8 3/16"	NA	4 3/4"	5 3/16"	6 25/32"	5 5/32"	5 5/32"	3 3/16"	4"	7
STL	8"	014-82-2-1	8 3/16"	NA	4 3/4"	5 3/16"	6 25/32"	5 5/32"	5 5/32"	3 3/16"	4"	7
SST	10"	014-82-3-1	10 3/16"	2"	5 3/4"	6 3/16"	8 25/32"	6 15/32"	6 1/32"	4 1/16"	4 7/8"	8
STL	10"	014-82-4-1	10 3/16"	2"	5 3/4"	6 3/16"	8 25/32"	6 15/32"	6 1/32"	4 1/16"	4 7/8"	8
SST	12"	014-82-5-1	12 3/16"	2"	6 3/4"	7 3/16"	10 25/32"	7 11/32"	6 29/32"	4 15/16"	5 3/4"	8
STL	12"	014-82-6-1	12 3/16"	2"	6 3/4"	7 3/16"	10 25/32"	7 11/32"	6 29/32"	4 15/16"	5 3/4"	8
SST	14"	014-82-7-1	14 3/16"	2"	7 3/4"	8 3/16"	12 25/32"	8 3/16"	7 3/4"	5 3/4"	6 19/32"	8
STL	14"	014-82-8-1	14 3/16"	2"	7 3/4"	8 3/16"	12 25/32"	8 3/16"	7 3/4"	5 3/4"	6 19/32"	8
SST	16"	014-82-9-1	16 3/16"	2"	8 3/4"	9 3/16"	14 25/32"	9 3/32"	8 21/32"	6 11/16"	7 3/32"	8
STL	16"	014-82-10-1	16 3/16"	2"	8 3/4"	9 3/16"	14 25/32"	9 3/32"	8 21/32"	6 11/16"	7 3/32"	8
SST	18"	014-82-11-1	18 3/16"	2"	9 3/4"	10 3/16"	16 25/32"	9 31/32"	9 17/32"	7 9/16"	8 3/8"	8
SST	20"	014-82-12-1	20 3/16"	2"	10 3/4"	11 3/16"	18 25/32"	10 27/32"	10 13/32"	8 7/16"	9 1/4"	8
STL	20"	014-82-13-1	20 3/16"	2"	10 3/4"	11 3/16"	18 25/32"	10 27/32"	10 13/32"	8 7/16"	9 1/4"	8

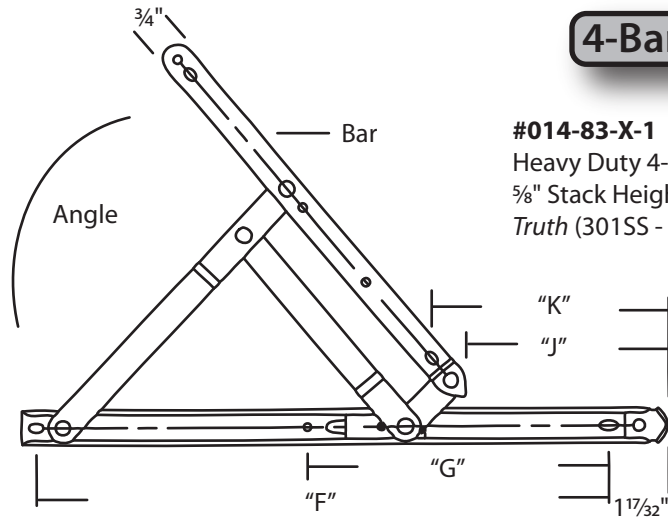


**#014-82-X-2 Stainless Steel**  
 Standard Duty 4-Bar Hinge w/o Stop  
 65° Angle of Opening  
 1/2" Stack Height  
 Truth (201SS-201ST Series)

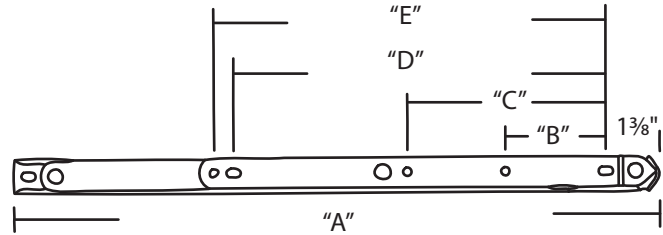


Bar Length	WRS Part #	"A"	"B"	"C"	"D"	"E"	"F"	"H"	"J"	# of Screws
8"	014-82-1-2	8 3/16"	NA	4 3/4"	5 3/16"	6 25/32"	5 17/32"	4 3/8"	5 1/16"	6
10"	014-82-3-2	10 3/16"	2"	5 3/4"	6 3/16"	8 25/32"	6 25/32"	5 15/32"	6 5/32"	7
12"	014-82-5-2	12 3/16"	2"	6 3/4"	7 3/16"	10 25/32"	7 25/32"	6 7/16"	7 1/8"	7
14"	014-82-7-2	14 3/16"	2"	7 3/4"	8 3/16"	12 25/32"	9 1/32"	7 3/4"	8 7/16"	7
16"	014-82-9-2	16 3/16"	2"	8 3/4"	9 3/16"	14 25/32"	10 9/32"	8 15/16"	9 5/16"	7
20"	014-82-12-2	20 3/16"	2"	10 3/4"	11 3/16"	18 25/32"	12 17/32"	11 7/32"	11 29/32"	7

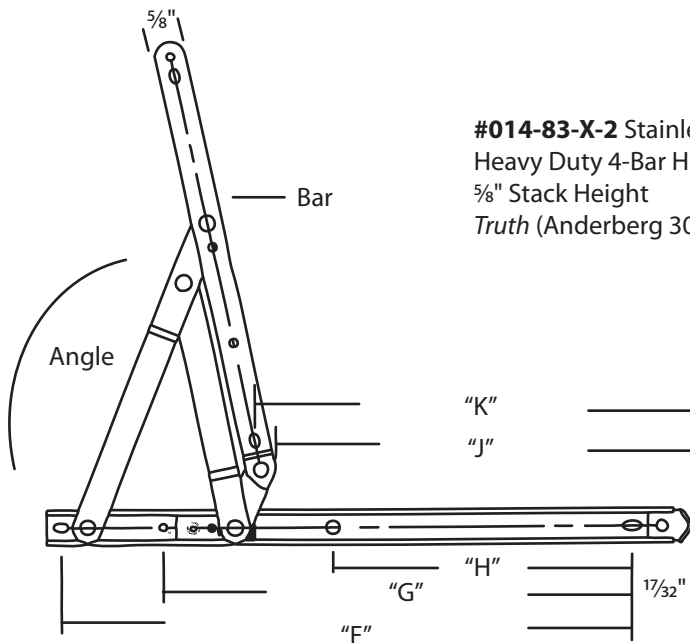
**4-Bar Hinge**



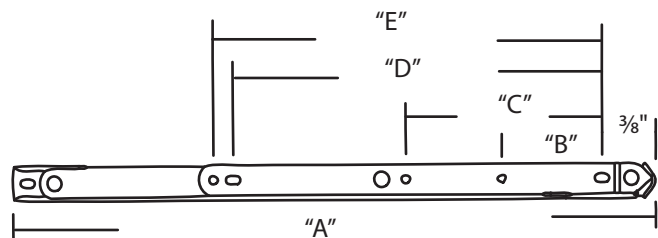
**#014-83-X-1**  
 Heavy Duty 4-Bar Hinge w/ Stop  
 5/8" Stack Height  
 Truth (301SS - 301ST Series)



Material	Bar Length	WRS Part #	"A"	"B"	"C"	"D"	"E"	"F"	"G"	"J"	"K"	Angle	# of Screws
SST	10"	014-83-1-1	10 1/2"	5 31/32"	NA	6 1/2"	7"	8 19/32"	6 11/32"	3 15/16"	4 23/32"	59°	7
STL	10"	014-83-2-1	10 1/2"	5 31/32"	NA	6 1/2"	7"	8 19/32"	6 11/32"	3 15/16"	4 23/32"	59°	7
SST	12"	014-83-3-1	12 1/2"	2 9/16"	NA	7 1/2"	8"	10 19/32"	6 19/32"	4 1/8"	4 31/32"	53°	7
STL	12"	014-83-4-1	12 1/2"	2 9/16"	NA	7 1/2"	8"	10 19/32"	6 19/32"	4 1/8"	4 31/32"	53°	7
SST	14"	014-83-5-1	14 1/2"	2 9/16"	NA	8 1/2"	9"	12 19/32"	6 15/16"	4 7/16"	5 5/16"	50°	7
STL	14"	014-83-6-1	14 1/2"	2 9/16"	NA	8 1/2"	9"	12 19/32"	6 15/16"	4 7/16"	5 5/16"	50°	7
SST	16"	014-83-7-1	16 1/2"	2 9/16"	5 1/16"	9 1/2"	10"	14 19/32"	7 21/32"	5 5/32"	6 1/32"	50°	8
STL	16"	014-83-8-1	16 1/2"	2 9/16"	5 1/16"	9 1/2"	10"	14 19/32"	7 21/32"	5 5/32"	6 1/32"	50°	8
SST	18"	014-83-9-1	18 1/2"	2 9/16"	6 1/16"	10 1/2"	11"	16 19/32"	8 8/32"	5 21/32"	6 21/32"	50°	8
STL	18"	014-83-10-1	18 1/2"	2 9/16"	6 1/16"	10 1/2"	11"	16 19/32"	8 8/32"	5 21/32"	6 21/32"	50°	8
SST	20"	014-83-11-1	20 1/2"	2 9/16"	7 1/16"	11 1/2"	12"	18 19/32"	8 31/32"	6 1/2"	7 3/8"	49°	8
STL	20"	014-83-12-1	20 1/2"	2 9/16"	7 1/16"	11 1/2"	12"	18 19/32"	8 31/32"	6 1/2"	7 3/8"	49°	8
SST	24"	014-83-13-1	24 1/2"	2 9/16"	9 1/16"	13 1/2"	14"	22 19/32"	9 3/32"	6 17/32"	7 7/16"	44°	8
STL	24"	014-83-14-1	24 1/2"	2 9/16"	9 1/16"	13 1/2"	14"	22 19/32"	9 3/32"	6 17/32"	7 7/16"	44°	8
SST	28"	014-83-15-1	28 1/2"	2 9/16"	11 1/16"	15 1/2"	16"	26 19/32"	9 19/32"	7"	7 15/16"	42°	8

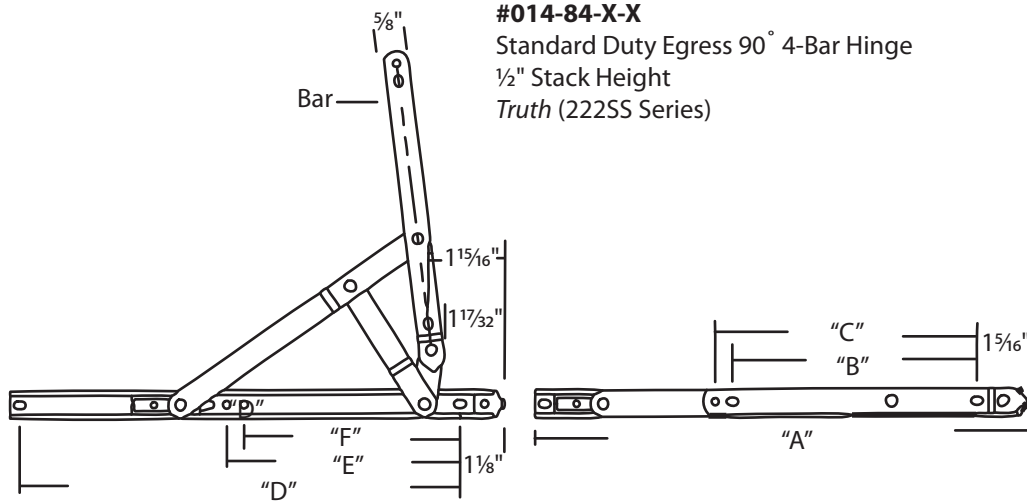


**#014-83-X-2** Stainless Steel  
 Heavy Duty 4-Bar Hinge w/o Stop  
 5/8" Stack Height  
 Truth (Anderberg 301SS - 301ST Series)



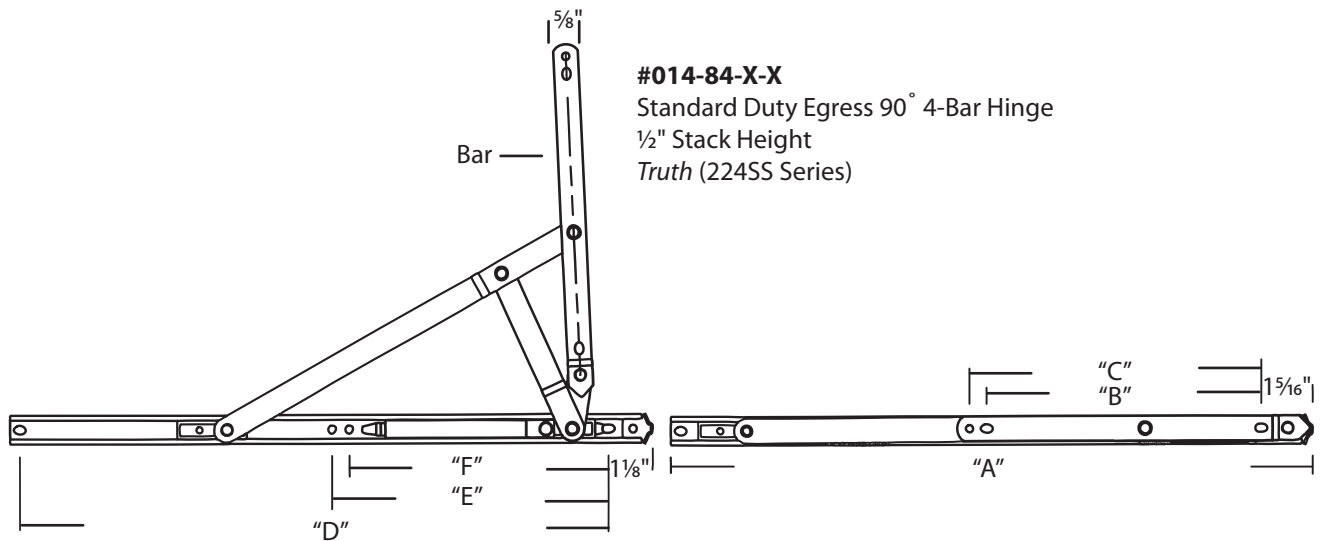
Bar Length	WRS Part #	"A"	"B"	"D"	"E"	"F"	"G"	"H"	"J"	"K"	Angle	# of Screws
10"	014-83-1-2	10 1/2"	5 31/32"	6 1/2"	7"	8 19/32"	7 7/32"	NA	5 27/32"	6 3/8"	77°	7
12"	014-83-3-2	12 1/2"	2 9/16"	7 1/2"	8"	10 19/32"	8 31/32"	NA	7 1/2"	8 1/32"	78°	7
14"	014-83-5-2	14 1/2"	2 9/16"	8 1/2"	9"	12 19/32"	10 15/32"	NA	9 7/32"	9 3/4"	79°	7
16"	014-83-7-2	16 1/2"	2 9/16"	9 1/2"	10"	14 19/32"	11 31/32"	7 21/32"	10 21/32"	11 3/16"	78°	8
18"	014-83-9-2	18 1/2"	2 9/16"	10 1/2"	11"	16 19/32"	13 1/2"	8 5/16"	12 7/32"	12 23/32"	78°	8
20"	014-83-11-2	20 1/2"	2 9/16"	11 1/2"	12"	18 19/32"	15"	10 5/16"	13 13/16"	14 11/32"	78°	8
24"	014-83-13-2	24 1/2"	2 9/16"	13 1/2"	14"	22 19/32"	18"	9 3/32"	16 21/32"	17 7/32"	77°	8

**Egress Hinge**



**#014-84-X-X**  
 Standard Duty Egress 90° 4-Bar Hinge  
 1/2" Stack Height  
 Truth (222SS Series)

Bar Length	WRS Part #	"A"	"B"	"C"	"D"	"E"	"F"	# of Screws	Notes
12"	014-84-1-1	12 5/8"	6 1/4"	6 1/16"	11 1/4"	5 15/16"	5 1/2"	7	Std. Stop
12"	014-84-2-1	12 5/8"	6 1/4"	6 1/16"	11 1/4"	5 15/16"	5 1/2"	7	Std. Stop, Loose Rivets



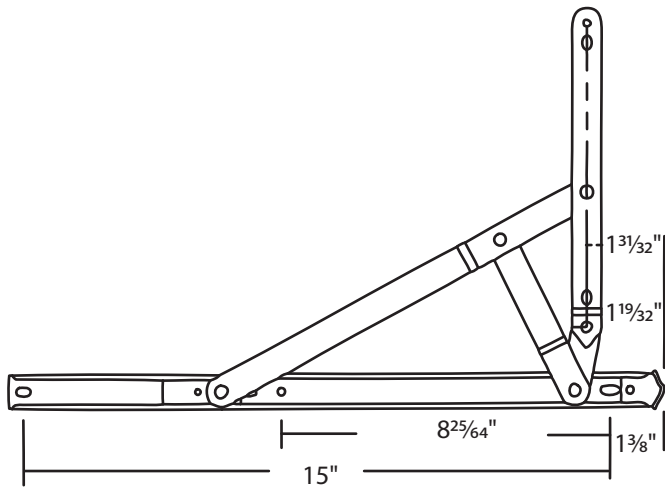
**#014-84-X-X**  
 Standard Duty Egress 90° 4-Bar Hinge  
 1/2" Stack Height  
 Truth (224SS Series)

Bar Length	WRS Part #	"A"	"B"	"C"	"D"	"E"	"F"	# of Screws	Notes
16"	014-84-2-1	16 13/32"	7"	7 15/32"	15 1/2"	8 7/32"	8 3/32"	7	Std. Stop
16"	014-84-2-2	16 13/32"	7"	7 15/32"	15 1/2"	7 1/2"	6 19/32"	7	Std. Stop, Loose Rivets
16"	014-84-3-1	16 13/32"	7"	7 15/32"	15 1/2"	8 7/32"	8 3/32"	7	Std. Stop
16"	014-84-3-2	16 13/32"	7"	7 15/32"	15 1/2"	7 1/2"	6 19/32"	7	Std. Stop, Loose Rivets

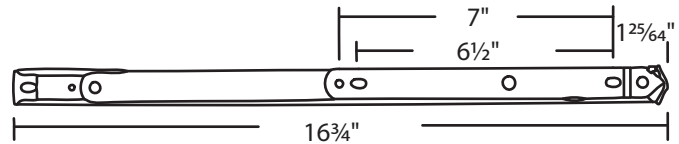


Any questions, call your Account Specialist @ 800.842.0974

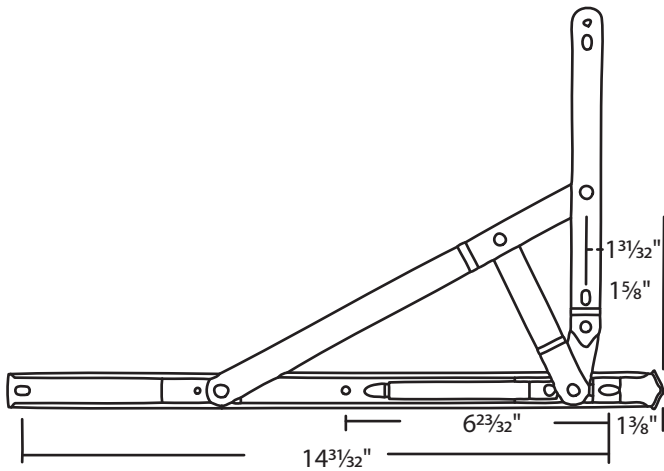
**Egress Hinge**



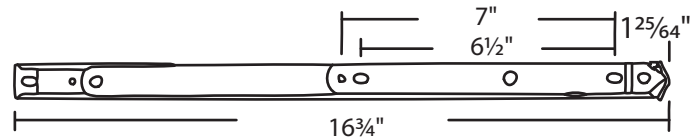
**#014-85-1-X** Stainless Steel  
 Standard Duty Egress 90° 4-Bar Hinge  
 5/8" Stack Height  
 Truth (333SS Series)



Bar Length	WRS Part #	Notes
16"	014-85-1-1	Std. Stop
16"	014-85-1-2	Std. Stop, Loose Rivets



**#014-85-2-X** Stainless Steel  
 Standard Duty Egress 90° Hinge  
 Wastability Feature  
 5/8" Stack Height  
 Truth (334SS Series)



Bar Length	WRS Part #	Notes
16"	014-85-2-1	Std. Stop
16"	014-85-2-2	Std. Stop, Loose Rivets



Any questions, call your  
 Account Specialist @ **800.842.0974**