

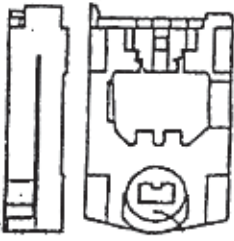
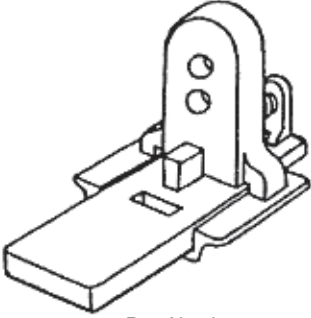
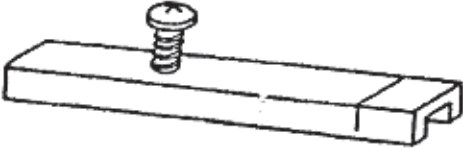
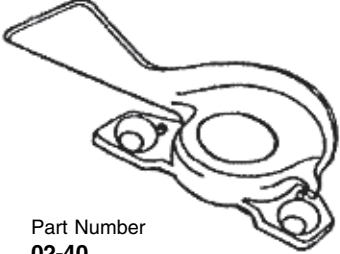



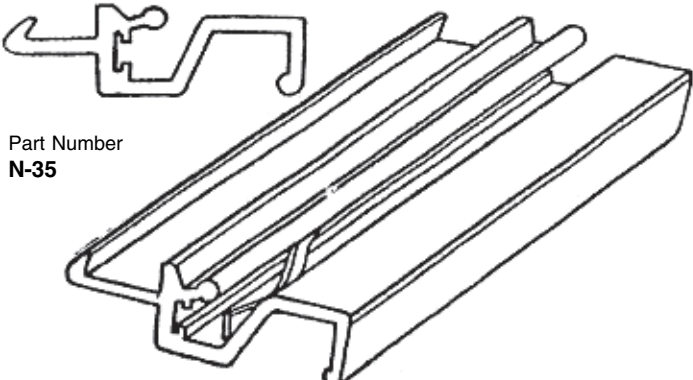
NORANDEX PARTS

SERIES 2000 WINDOW - SH/HS/PW

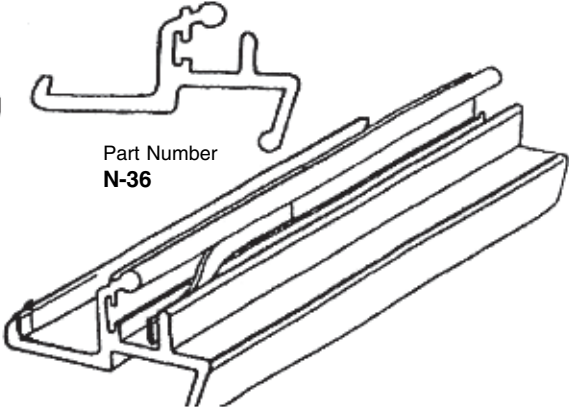
<p align="center">Balances</p> <div style="display: flex; justify-content: space-around;"> <div style="text-align: center;">  <p>Series 200-250 5/8" Dia.</p> </div> <div style="text-align: center;">  <p>Series 50 3/8" Dia.</p> </div> </div>	<p align="center">Pivot Lock Shoe</p> <div style="text-align: center;">  <p>Part Number 01-18</p> </div>	<p align="center">Tilt Latch/Plunger</p> <div style="text-align: center;">  <p>Part Number RH N-31 LH N-32</p> </div>
-------------------------------------------------------------------------------------------------------------------------------------------------------------------------------------------------------------------------------------------------------------------------------------------------------------------------------------------------------------------------------------------------------------------------------------------------	-------------------------------------------------------------------------------------------------------------------------------------------------------------------------------------------------------------	---------------------------------------------------------------------------------------------------------------------------------------------------------------------------------------------------------------------------------------

<p align="center">Pivot Lock Shoe</p> <div style="text-align: center;">  <p>Part Number 01-46</p> </div>	<p align="center">Sweep Lock</p> <div style="text-align: center;">  <p>Part Number 02-40</p> </div>	<p align="center">Keeper</p> <div style="text-align: center;">  <p>Part Number 02-53</p> </div>
-------------------------------------------------------------------------------------------------------------------------------------------------------------------------------------------------------------	----------------------------------------------------------------------------------------------------------------------------------------------------------------------------------------------------------	-------------------------------------------------------------------------------------------------------------------------------------------------------------------------------------------------------

Spring Latches

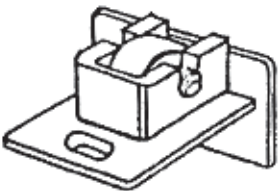


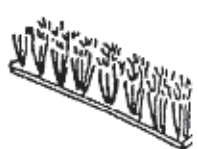
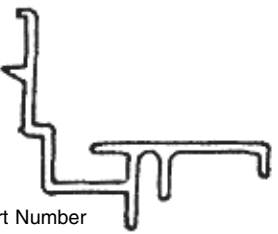


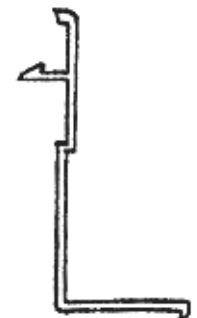







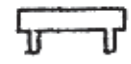





Part Number
N-35

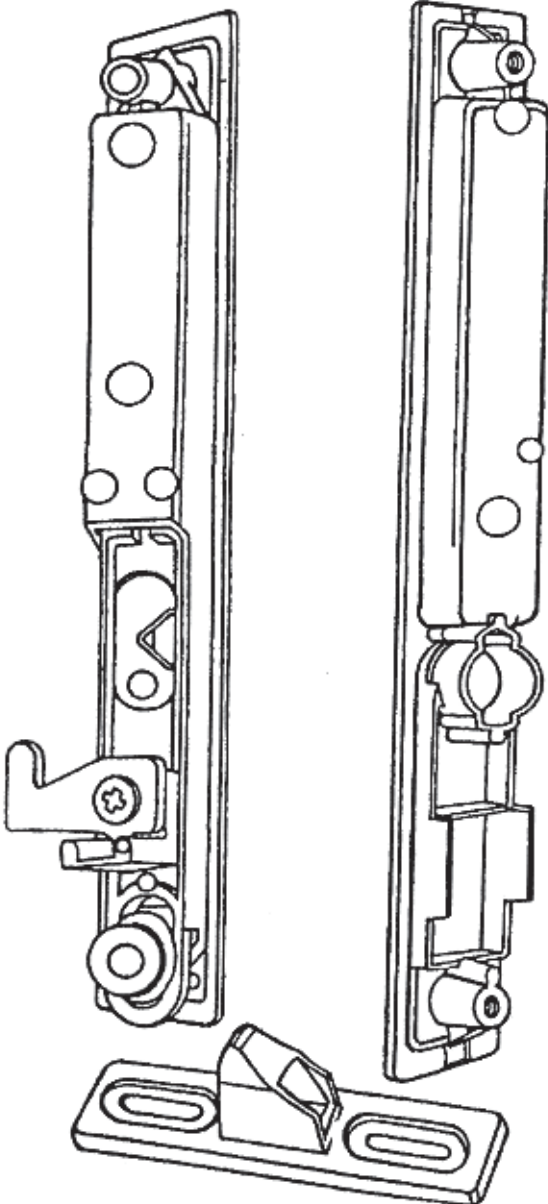
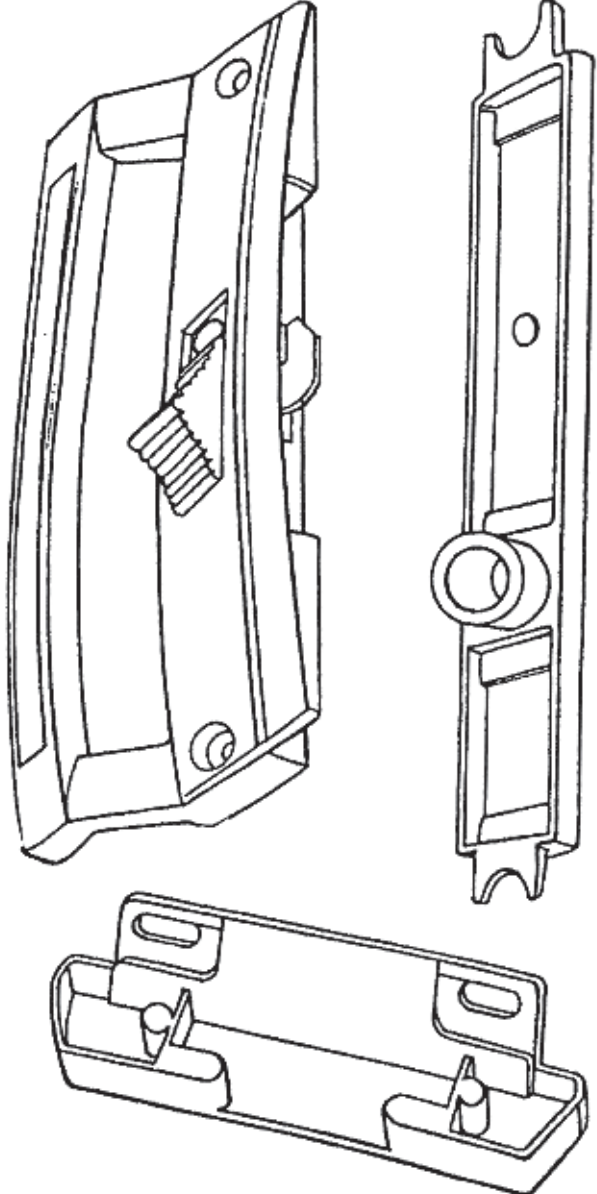


Part Number
N-36

SERIES 2000 WINDOW - SH/HS/PW

<p>Roller Housing / Corner</p>  <p>Part Number with roller N-37 corner N-38</p>	<p>Sash Guide</p>  <p>Part Number N-40</p>	<p>Top Stop</p>  <p>Part Number N-41 1" length</p>	<p>Air Plug</p>  <p>Part Number N-27</p>
<p>Frame Vinyls</p>		<p>Glazing Vinyls</p>	
<p>Slider Sill Vinyl</p>  <p>Part Number N-42</p>  <p>Part Number N-44</p>	<p>Slider Jamb Vinyl</p>  <p>Part Number N-43</p>  <p>Part Number N-45</p>  <p>Part Number N-47</p>	<p>Fixed Lite</p>  <p>Part Number N-52</p>  <p>Part Number N-53</p>	<p>Lower Sash</p>  <p>Part Number N-54</p>  <p>Part Number N-55</p>
<p>Jamb Vinyl</p>  <p>Part Number N-46</p>  <p>Part Number N-48</p>	<p>PW Glazing Block</p>  <p>Part Number N-49</p>	<p>Misc. Vinyls</p> <p>Bottom Seal</p>  <p>Part Number N-50</p>  <p>Part Number N-26</p> <p>Setting Blocks</p>  <p>Part Number N-51</p>	

SLIDING GLASS DOOR COMPONENTS

Handle / Lock Assembly	Handle / Lock Assembly
<p data-bbox="292 378 389 409">Mark 11</p> <p data-bbox="527 378 722 409">Part Number N-108</p>  <p data-bbox="259 1669 633 1690">Note: Used on Mark 10 Screen Door Also</p>	<p data-bbox="950 378 1047 409">Mark 10</p> <p data-bbox="1201 378 1396 409">Part Number N-109</p>  <p data-bbox="893 1627 1112 1711">Key Lock Assembly Part Number N-173 Lock + Spacer</p> <p data-bbox="1209 1680 1396 1711">N-173 IS N/A</p>